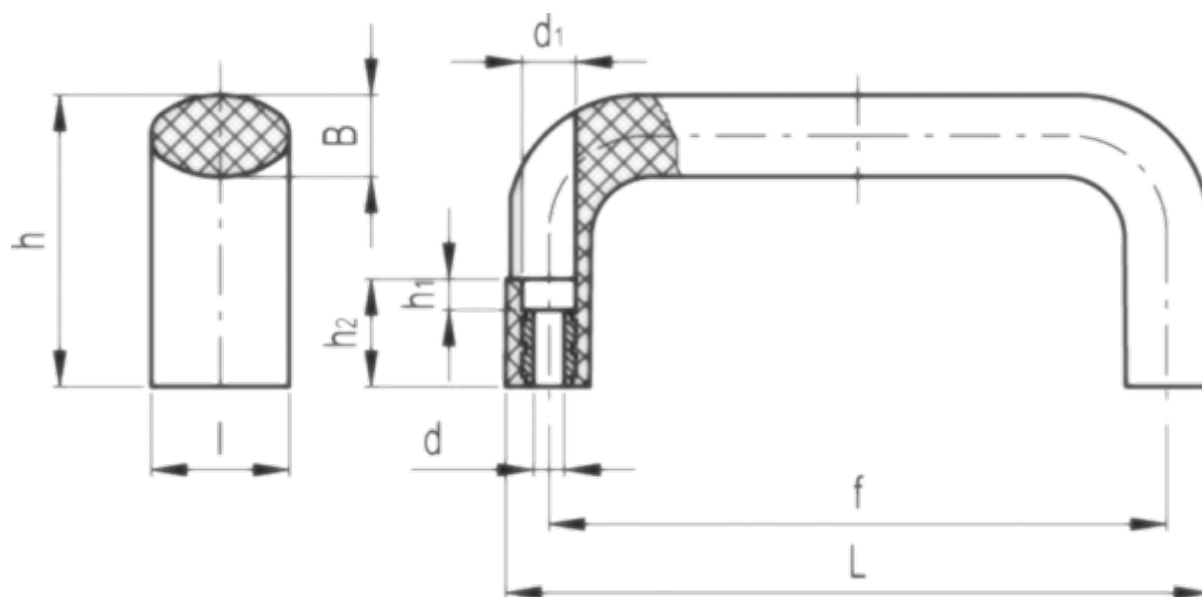


Data Sheet



Article number: 2304137331
Description: E+G Handle
M.643 FM/150 B-6

Measures



$B = 16$	$h_2 = 23.5$
$d = 6.4$	$l = 26$
$d_1 = 10.5$	$L = 148$
$f = 132 \pm 0.5$	$L_1 = 11$
$F_1 = 1900$	$L_2 = 9$
$F_2 = 1900$	Weight in (g) = 70
$h = 53$	
$h_1 = 8.5$	